

Sticklers® Fiber Optic Cleaning Starter Kit

Put It All Together for Perfect Cleaning



- 800+ "Wet/Dry" cleanings per kit, for the best possible results
- Everything a tech needs for fast, convenient, reliable cleaning
- Cleans in seconds, for just pennies per cleaning
- Bright orange canvas bag is easy to find, hard to lose, even in the back of trucks, connector closets or busy labs
- Extra pockets for tools, inspection scopes, strippers
- Ship anywhere, any way, including by air, without Hazmat fees
- Free! High-brilliance Sticklers® inspection flashlight

Sticklers® Fiber Optic Splice & Connector Cleaner

When you need perfectly clean splices & connectors®



- Perfectly cleans all optic components
- Completely removes dust, dirt, fingerprints, moisture
- Dissipates static
- Cleans in five seconds. Dries instantly
- Safe on all surfaces
- Non-flammable. Non-hazardous. Non-regulated
- Ship anywhere, any way
- Military approved
- Contains 400+ cleanings

Sticklers® CleanWipes™ Packages

"Wet/Dry" Cleaning Made Easy



Sticklers® CleanWipes™ 3200

Contains 3200 Cleanings

Sticklers® CleanWipes™ 400

Contains 400 Cleanings

- CleanSwipe Slots for fast, perfect cleans
- CleanSwipe Slots are "color clean" coded for usage control
- Super Simple - Super Fast - Super Value
- No rip, no scratch



Sticklers® CleanWipes™ 90

Contains 90 Cleanings

- Optical-grade wipe for cleaning connectors, or bare fiber before splicing
- Far stronger and cleaner than cellulose wipes
- No glues, bleach or lint to contaminate
- Makes "Wet/Dry" cleaning easy



Sticklers® Outdoor CleanWipes™ Singles

- Each Sticklers® CleanWipes™ stays clean and dry until the packet is opened
- Designed for use in harsh environments
- Fits in tool kits and pockets
- Technician-friendly

Introducing . . .

OPTIXX™ Precision Lens & Instrument Screen Cleaning Kit



- Engineered to clean high precision optics, solar cells, laser hardware, and scientific instruments
- Eliminates static cling that attracts dust
- Wipes exceed A-A-50177B Type 1, Class 4
- Safe on all surfaces
- Cleans dusts, oil, grime, pyrotechnic soot & moisture from optical lens, metals, plastic, glass & coatings
- Super Simple - Super Fast - Super Value
- Ships anywhere as "Non-Hazardous/Not Regulated"

From the makers of Sticklers® Fiber Optic Cleaners

The most versatile cleaner in the fiber optic industry



Use the Sticklers® Fiber Optic Splice & Connector Cleaner to dampen the Sticklers® CleanStixx™ Connector Cleaning Sticks



Or to flush out ports and connectors



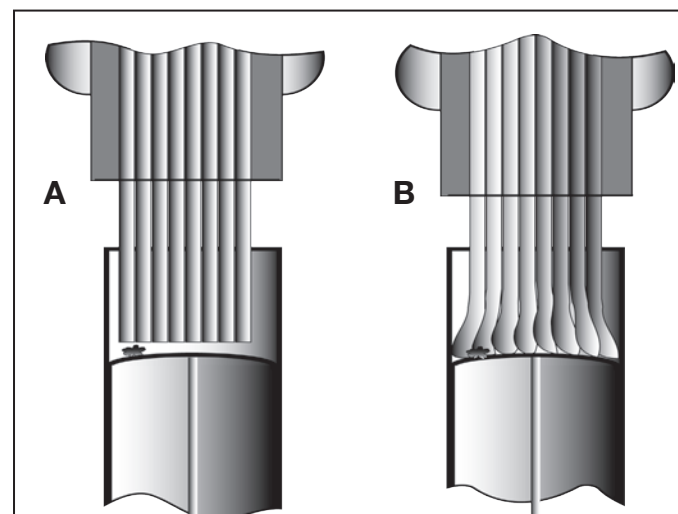
Or to dampen the Sticklers® CleanWipes™ for splicing or cleaning connectors

Sticklers® CleanStixx™ Connector Cleaning Sticks

Fast, Simple “Wet/Dry” Port Cleaning



- Clean any connector, any size, any configuration, anywhere (military connectors, biconic, SCA connectors for FTth applications, SMA 905 AIR connectors)
- Clean the entire end-face, not just the central core
- Deliver “Wet/Dry” cleaning when used with Sticklers® Fiber Optic Splice & Connector Cleaning Fluid
- Use ultra-clean construction — no fabric, foam, glues or particulate
- Precisely molded to an exact size and shape, for better cleaning
- Color-coded for easy selection
- Packaged in high-purity, self-sealing bags
- Military approved with National Stock Numbers



On the head of each Sticklers® CleanStixx™ fibers flex and easily conform to the end-face (A). The fibers also spread apart and grip particulate, just as a radial tire grips the road (B). Capillary action wicks liquids from the surface. Together, these two processes deliver fast, consistent cleaning results time after time. Most competing swabs have a rigid center post beneath a softer cover, so all the cleaning pressure is on the very point of the swab, and the tip can't conform to clean the entire connector surface. They also tend to have inconsistent shapes and dimensions, cleaning the sides of the alignment sleeve better than the end-face. Drawing not to scale.

Sticklers® Fiber Optic Cleaners

Product Details

Sticklers® Fiber Optic Cleaning Kit Each kit includes two pump sprays of the cleaning fluid, one mini-tub of CleanWipes™ 90 for the bench top, one box of CleanWipes™ 400, 25 CleanWipes™ Singles for harsh environments, 50 CleanStixx™, and a high-brilliance LED inspection flashlight.	MCC-FK03	800 Cleans/Kit	6 Kits/Case
Sticklers® Military-Ready Cleaning Kit Each kit includes the same cleaners as the commercial kit, but in a low visibility black canvas bag.	MCC-FK05	800 Cleans/Kit	6 Kits/Case
Sticklers® CleanWipes™ 3200	MCC-WCS800	3,200 Cleans/Box	4 Boxes/Case
Sticklers® CleanWipes™ 400	MCC-WCS100	400 Cleans/Box	12 Boxes/Case
Sticklers® CleanWipes™ 90 The least expensive option, for the bench top tech. Each mini-tub contains 90 perforated lint-free wipes, each wipe 4" x 2" (10 cm x 5 cm). There are 24 mini-tubs per case, for a total of 2,160 wipes per case. Each mini-tub is approx. 3" in diameter and 3" tall (8 cm x 8 cm). NSN: 7920-01-547-6547	MCC-WFW	90 Wipes/Minutub	24 Minutubs/Case
Sticklers® CleanWipes™ Singles A sealed, dry wipe for use outdoors, in harsh environments. Each wipe is approx. 4" x 2" (10 cm x 5 cm). NATO: 6850-99-2261214/NSN: 6850-01-592940	MCC-FA1	50 Packets/Bag	12 Bags/Case
Sticklers® Flat CleanWipes™ NATO: 6850-99-1523398/NSN: 6850-01-5929440	MCC-WF44	50 Packets/Bag	12 Bags/Case
Sticklers® Fiber Optic Splice & Connector Cleaner 3 oz. / 85 g TravelSAFE™ Mini-Pump, Triton™ dispensing top. NATO: 6850-99-3285073/NSN: 6850-01-5929391	MCC-POC03M	400 Cleans/Can	12 Cans/Box
Sticklers® CleanStixx™ Connector Cleaning Sticks Note: There is one “head” or tip on each CleanStixx™. Packaged in color-coded bags of ten sticks; five bags/box, six boxes per case.			
Sticklers® 2.5mm connectors (blue label/sticks) Fits SC, SCA, ST, FC, ASC, AFC, etc. NSN: 6070-01-553-2263	MCC-S25	50 Cleans/Box	6 Boxes/Case
Sticklers® 2.0mm & 1.6mm connectors (orange label/sticks) Fits MIL-C-28876, MIL-C-38999, D4, MT-RJ. NSN: 6070-01-553-2262	MCC-S16	50 Cleans/Box	6 Boxes/Case
Sticklers® 1.25mm connectors (green label/sticks) Fits LC, MU, etc. NSN: 6070-01-553-2267	MCC-S12	50 Cleans/Box	6 Boxes/Case
Sticklers® CleanStixx™ for larger connectors, lenses (pink label) Fits SMA, MTP (with or without pins), biconic; also for cleaning lenses within recessed fixtures	MCC-XMT	50 Cleans/Box	6 Boxes/Case
Sticklers® CleanStixx™ for all exposed termini (yellow label) Fits 2.5mm jumpers, cylindrical ferrules and SMA 905 AIR connectors. NSN: 6070-01-553-2258	MCC-P25	50 Cleans/Box	6 Boxes/Case
Sticklers® Combo pack Ten CleanStixx™ of each type; the best for users with both military and commercial customers	MCC-VM	50 Cleans/Box	6 Boxes/Case
Sticklers® Combo pack for commercial users Twenty S12, Twenty S25 and Ten P25	MCC-VS	50 Cleans/Box	6 Boxes/Case

Product Notes

INSTRUCTIONS: See the back panel on each box for detailed instructions. SHIPPING: All Sticklers® Fiber Optic Cleaning products can be shipped by air, without Hazmat fees or paperwork. SHELF LIFE: The shelf life for all Sticklers® products is unlimited. MicroCare logo, Sticklers logo, “Sticklers”, “CleanStixx”, “CleanWipes”, “CleanSlots”, “Triton” and “MicroCare are all trademarks or registered trademarks of MicroCare Corp. US patents #7,401,374; #7,685,668 and #7,784,647 allowed. Additional patents applied for and pending. The information set forth herein is based on data believed to be reliable, but MicroCare makes no warranties express or implied as to its accuracy and assumes no liability arising out of its use by others.

MicroCare Corporation
595 John Downey Drive, New Britain CT 06051 USA
Tel: 860.827.0626 Fax: 860.827.8105
In North America, dial: 800.638.0125
Email: TechSupport@SticklersCleaners.com

MicroCare Europe bvba
Havendoklaan 19, Cargovil, Vilvoorde, B-1804 Belgium
Tel: +32 2 251-9505
Email: TechSupport@SticklersCleaners.com



www.SticklersCleaners.com



Discover Perfectly Clean,
Perfectly Fast,
Perfectly Reliable
Fiber Optic Networks